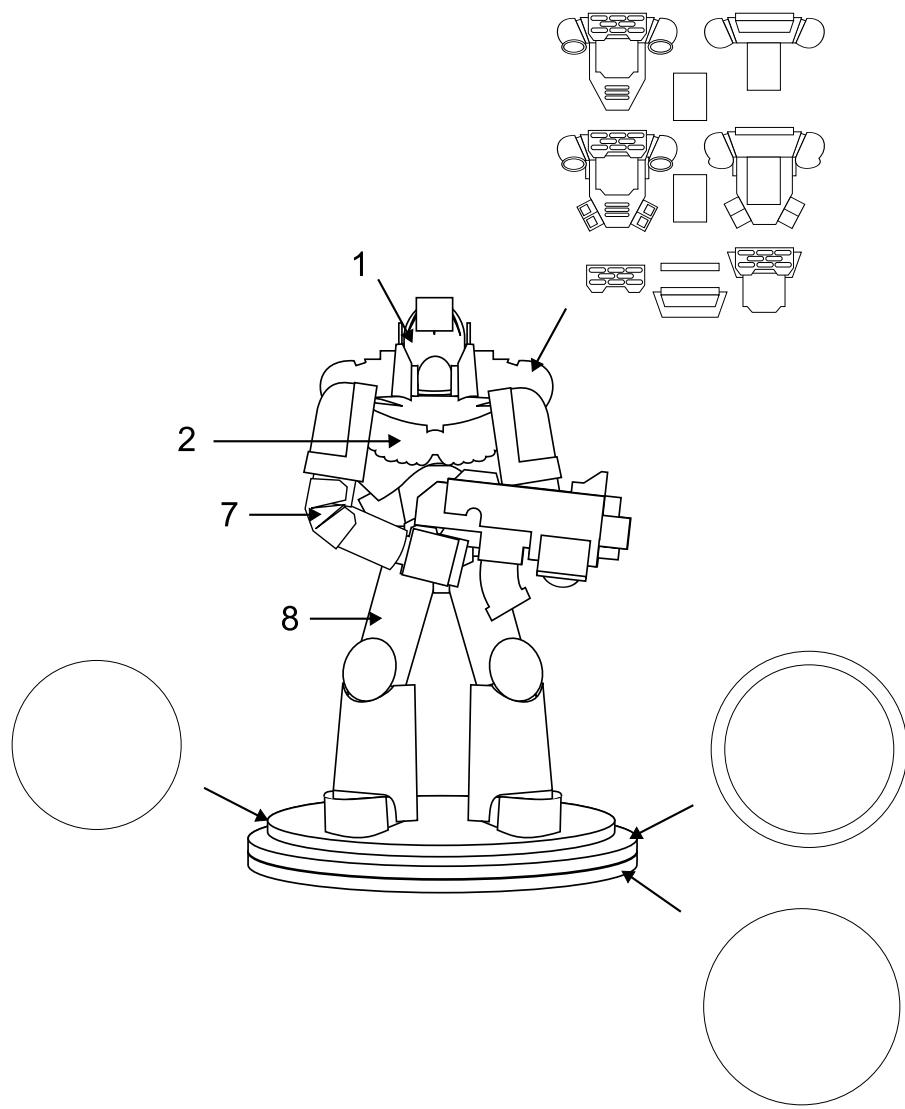


8



Please Note

Designed to be printed on A4 sized 160gsm cardboard.

It is suggested glue the base parts onto two layers of 240gsm cardboard before being cut out, then glue onto each other. Name of model should be at the bottom of the model